

## NAME : FLOOD LIGHT G1 (FLG1)



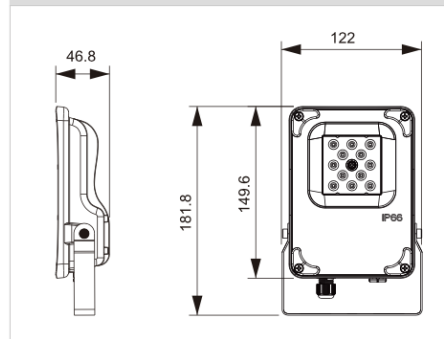
### PRODUCT INTRODUCTION

- 1: 15° / 30° / 60° / 90° / 120° asymmetric lens are available
- 2: 3030,3535,5050 light source are available
- 3: Can add PIR/photocell/dimming and other functions
- 4: Can add emergency/induction/dimming and other functions
- 5: Wide range of applications
- 6: Can be customized driver, Leds and Lens

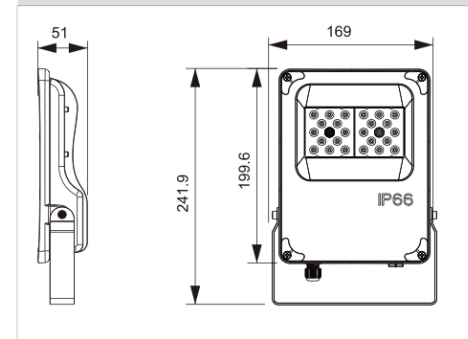
### FLOOD LIGHT G1 PERAMETER

POWER	15W	30W	50W	80W
Lamp Efficiency	>100lm	>115lm	>120lm	>130lm
Luminous Flux	>1350lm	>3450lm	>6000lm	>10400lm
Power Factor	PF ≥ 0.86	PF ≥ 0.87	PF ≥ 0.88	PF ≥ 0.90
Color Temperature		3000K,4000K,5000K,5700K,6500K		
CRI		≥ 80		
Lifespan		50000Hrs		
Beam Angle		15°/30°/60°/90°/120°(Glass)/ Type I/Type II		
Material		Aluminum and Glass		
IP Rating		IP66		
Certification		CE,RoHS,LVD		
Dimension(mm)	190*180*55	248*175*60	290*226*60	345*286*60
Packing(mm)	395*375*295(20pcs)	365*263*320(10pcs)	470*305*320(10pcs)	360*315*306(5pcs)
Net Weight(Kg)	1.4Kg/pc	1.2Kg/pc	1.2Kg	2.96Kg/pc
Gross Weight(Kg)	15Kg/20pcs	13Kg/10pcs	21.5Kg/10pcs	16Kg/5pcs

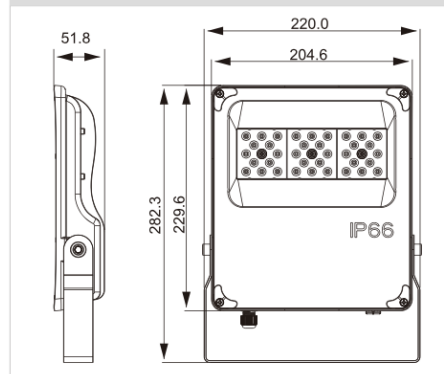
15w AXFLG1



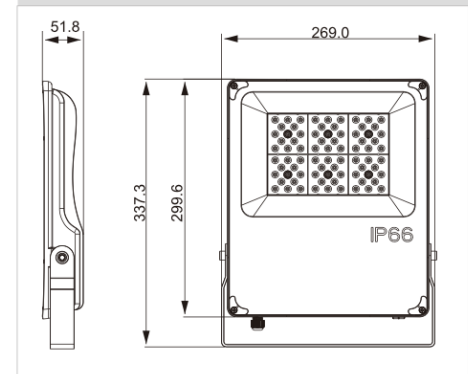
30w AXFLG1



50w AXFLG1



80w AXFLG1



## NAME : FLOOD LIGHT G2 (FLG2)



### PRODUCT INTRODUCTION

- 1: 15° / 30° / 60° / 90° / 120° / asymmetric lens are available
- 2: 3030,3535,5050 light source are available
- 3: Can add PIR/photocell/dimming and other functions
- 4: Can add emergency/induction/dimming and other functions
- 5: Wide range of applications
- 6: Can be customized driver, Leds and Lens

### FLOOD LIGHT G2 PERAMETER

POWER	100W	150W	200W	300W
Lamp Efficiency	>125lm	>125lm	>122lm	>120lm
Luminous Flux	>12500lm	>18750lm	>24400lm	>36000lm
Power Factor	PF>0.89	PF>0.90	PF>0.92	PF>0.92
Color Temperature	3000K,4000K,5000K,5700K,6500K			
CRI	≥80			
Lifespan	50000Hrs			
Beam Angle	15°/30°/60°/90°/120°(Glass)/ Type I/Type II			
Material	Aluminum and Glass			
IP Rating	IP66			
Certification	CE,RoHS,LVD			
Dimension(mm)	394*394*57	446*394*57	497*394*59	504*546*65
Net Weight(Kg)	5.15	5.75	7.02	10.94
Gross Weight(Kg)	6.15	6.75	8.02	12.5

